

Ozlux®

ENERGY SAVING LAMPS

T5 MIRROR OPTIC LUMINAIRE

Ozlux® Light Fixture Series



T5 Mirror Optic Luminaire featuring Ozlux® Lamp Technology

Electrical and Technical Data

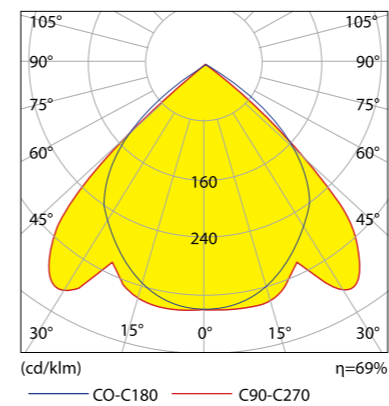
Product Number	Watts	Power Factor	Bulb	Base	Pkg. Qty.	Optics	CRI	Dimension LxWxD (mm)	Rated Avg. Life (Hrs) ¹	Approx. Initial Lumens ²
OCFR22X2	2x14	>0.95	T5	G5	2	Polycarbonate	85	598 x 298 x 50	20,000	2700
OCFR23X2	3x14	>0.95	T5	G5	2	Polycarbonate	85	598 x 598 x 50	20,000	4050
OCFR42X2	2x28	>0.95	T5	G5	2	Polycarbonate	85	1198 x 298 x 50	20,000	5800
OCFR43X2	3x28	>0.95	T5	G5	2	Polycarbonate	85	1198 x 598 x 50	20,000	8700

1) Average life under specified test conditions with lamps turned off and restarted no more frequently than once every 3 operating hours. Lamp life is appreciably longer if lamps are started less frequently.

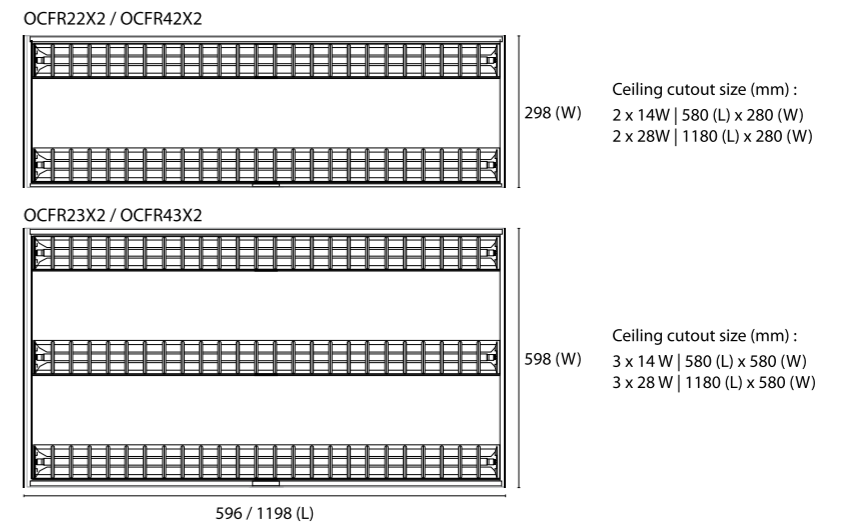
2) Approximate initial lumens. The lamp lumen output is based upon lamp performance after 100 hours of operating life, when the output is measured during operation on a reference ballast under standard laboratory conditions.



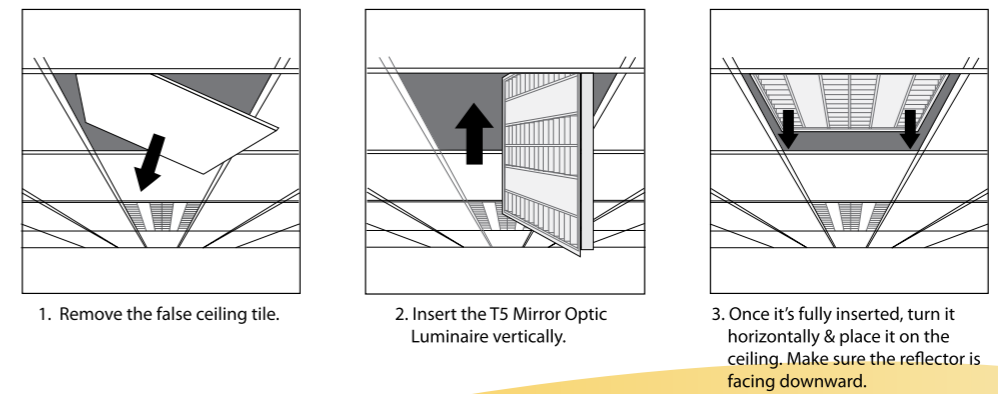
Comparison of Polar Curve



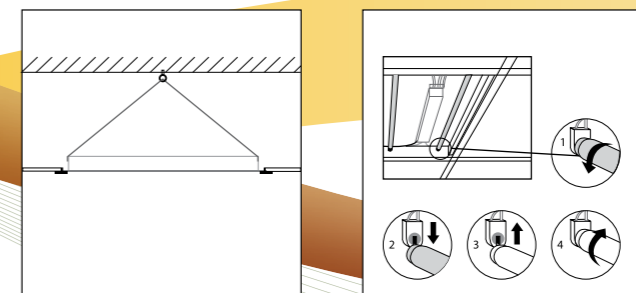
Dimensions (mm)



Installation Guide



1. Remove the false ceiling tile.
2. Insert the T5 Mirror Optic Luminaire vertically.
3. Once it's fully inserted, turn it horizontally & place it on the ceiling. Make sure the reflector is facing downward.



4. Secure the safety cable.
5. Check the ballast connection and tube fitting are in good condition before switching on.



DPI INDUSTRIES SDN BHD
 34-2, Jalan 3/146, Bandar Tasik Selatan, 57000 Kuala Lumpur, Malaysia.
 Tel: +603 9057 8949 Fax: +603 9057 8946 Email: sales@dpisb.com Web: www.ozlux.com
 © 2011 DPI Industries Sdn. Bhd. All rights reserved.



BRD01200611002



Batten Reflector Fitting

Ozlux® Light Fixture Series



EFFICIENT & PERFORMANCE

- Premium-grade reflector for durability in various applications.
- Epoxy powder coated and oven-baked for best optical performance.
- Combined together with Ozlux T5 electronic ballast for energy efficiency

EASY INSTALLATION

- Designed with a standard cable access for ease of installation.
- Suitable for Commercial Buildings, Industrial Factories, Car Parks and Semi-Outdoor Environments.

TECHNICAL (ELECTRONIC BALLAST)

- Optimum Power Factor
- Low Total Harmonic Distortion
- Excellent Voltage Tolerance Level

AESTHETICS

- Compact design and novel appearance which easily integrated into any applications
- Usage of materials with high reflectance and durable finishing

Batten Reflector Fitting featuring Ozlux® Lamp Technology

Ozlux® Double Batten Reflector Fitting is an industrial luminaire which caters to the use of various indoor and semi-outdoor environments. It also utilized the integrated Ozlux® T5 fluorescent system which offers no flicker and available in various colour temperatures. With its excellent aesthetics of compact and detailed finishing, it is suitable in a wide range of commercial and industrial applications.

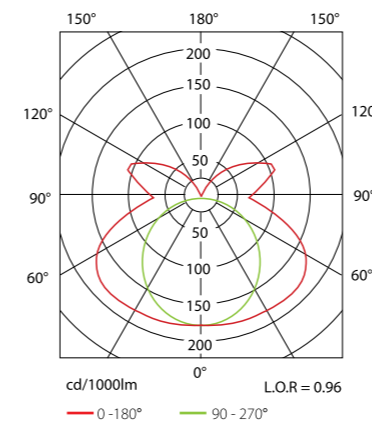
Electrical and Technical Data

Product Number	Watts	Power Factor	Bulb	Base	Pkg. Qty.	Color Temp (K)	CRI	Dimension LxDxH (mm)	Rated Avg. Life (Hrs) ¹	Approx. Initial Lumens ²
OZFR42D1	1 x 28	≥0.95	T5	G5	30	6500K	85	1175X111X60	20,000	2400
OZFR42C1	1 x 28	≥0.95	T5	G5	30	4200K	85	1175X111X60	20,000	2400
OZFR42W1	1 x 28	≥0.95	T5	G5	30	2700K	85	1175X111X60	20,000	2400
OZFR42D2	2 x 28	≥0.95	T5	G5	30	6500K	85	1175X111X60	20,000	5320
OZFR42C2	2 x 28	≥0.95	T5	G5	30	4200K	85	1175X111X60	20,000	5320
OZFR42W2	2 x 28	≥0.95	T5	G5	30	2700K	85	1175X111X60	20,000	5320

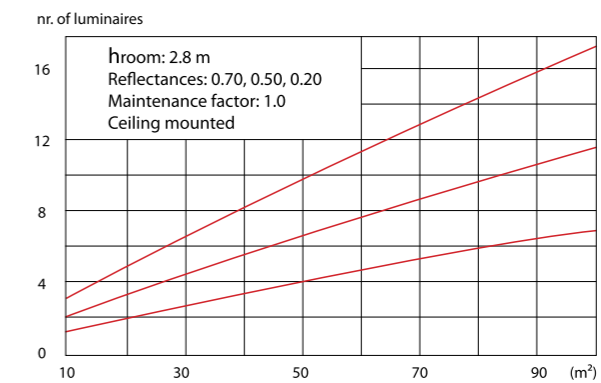
1) Average life under specified test conditions with lamps turned off and restarted no more frequently than once every 3 operating hours. Lamp life is appreciably longer if lamps are started less frequently.

2) Approximate initial lumens. The lamp lumen output is based upon lamp performance after 100 hours of operating life, when the output is measured during operation on a reference ballast under standard laboratory conditions.

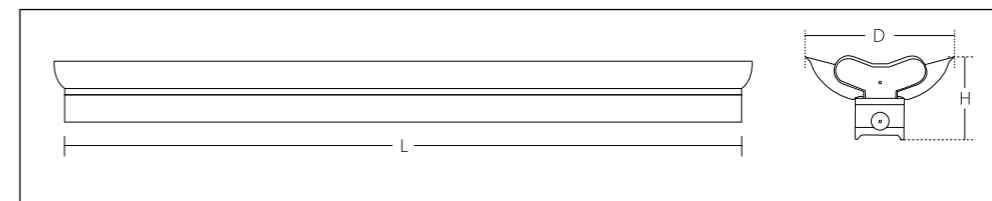
Polar Intensity Diagram



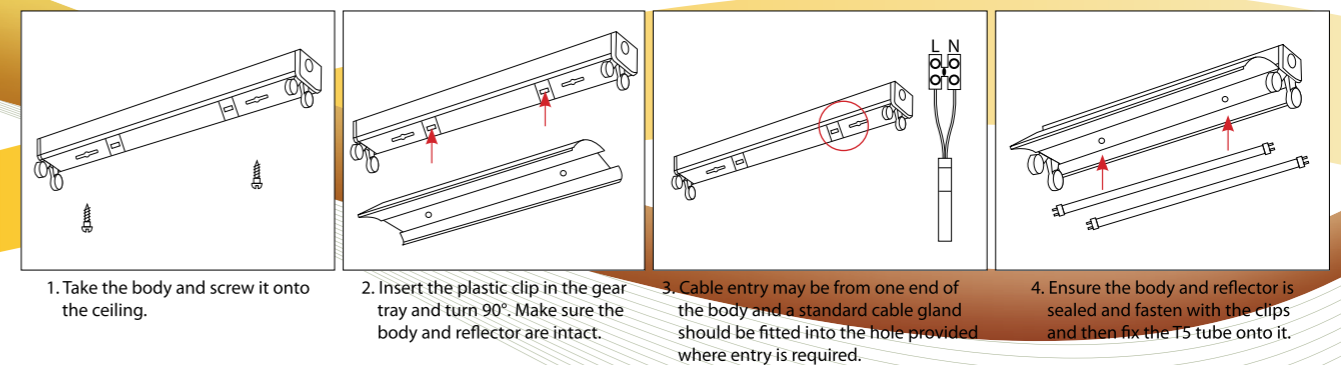
Quality Estimation Diagram



Dimensions (mm)



Installation Guide



34-2, Jalan 3/146, Bandar Tasik Selatan, 57000 Kuala Lumpur, Malaysia.

Tel: +603 9057 8949 Fax: +603 9057 8946 Email: sales@dpisb.com Web: www.ozlux.com

© 2011 DPI Industries Sdn. Bhd. All rights reserved.



BRD03130911002



Outdoor IP65 T5 Luminaire

Ozlux® Light Fixture Series



Outdoor IP65 T5 Luminaire featuring Ozlux® Lamp Technology

Ozlux® Outdoor IP65 T5 Luminaire is an outdoor-rated enclosure which caters to the use of the energy efficient Ozlux® T5 fluorescent system. Its impact-resistant polycarbonate cover and its IP65 enclosure provides various outdoor and semi-outdoor applications. This feature is also combined together with 'no-flicker' design and flexibility of various Colour temperature selection.

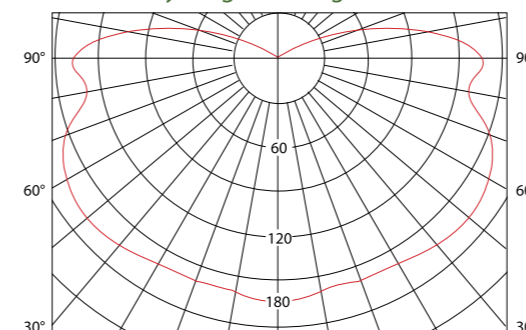
Electrical and Technical Data

Product Number	Watts	Voltage	Power Factor	Color Temp (K)	Dimensions (L x W x H) mm	Base Holder	CRI	Rated Avg. Life (Hrs) ¹	Approx. Initial Lumens ²
OZFE41D2	1 X 28	240	>0.95	6500K	1210 x 62 x 80	G5	85	20,000	2900
OZFE41C2	1 X 28	240	>0.95	4200K	1210 x 62 x 80	G5	85	20,000	2900
OZFE41W2	1 X 28	240	>0.95	2700K	1210 x 62 x 80	G5	85	20,000	2900
OZFE42D2	2 X 28	240	>0.95	6500K	1210 x 104 x 80	G5	85	20,000	5800
OZFE42C2	2 X 28	240	>0.95	4200K	1210 x 104 x 80	G5	85	20,000	5800
OZFE42W2	2 X 28	240	>0.95	2700K	1210 x 104 x 80	G5	85	20,000	5800

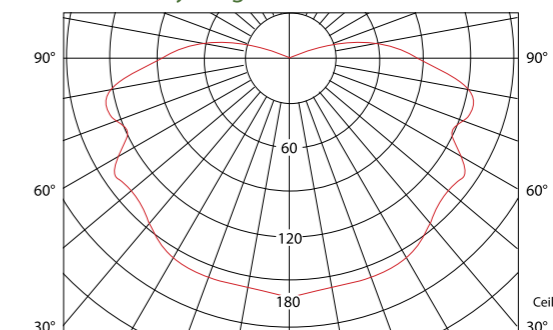
1) Average life under specified test conditions with lamps turned off and restarted no more frequently than once every 3 operating hours. Lamp life is appreciably longer if lamps are started less frequently.

2) Approximate initial lumens. The lamp lumen output is based upon lamp performance after 100 hours of operating life, when the output is measured during operation on a reference ballast under standard laboratory conditions.

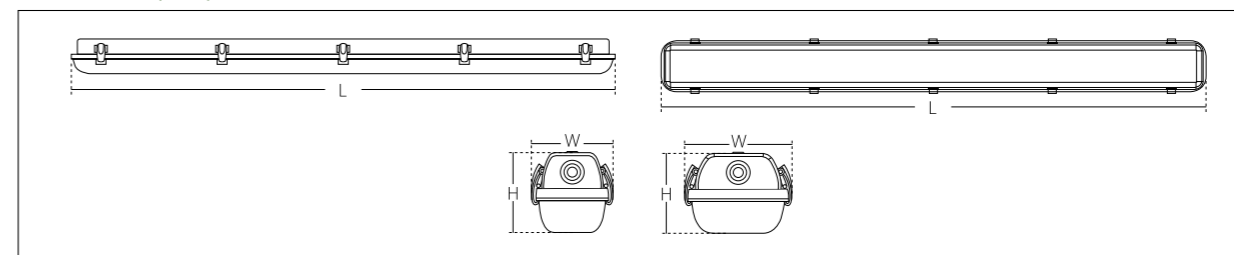
Polar Intensity Diagram - single tube



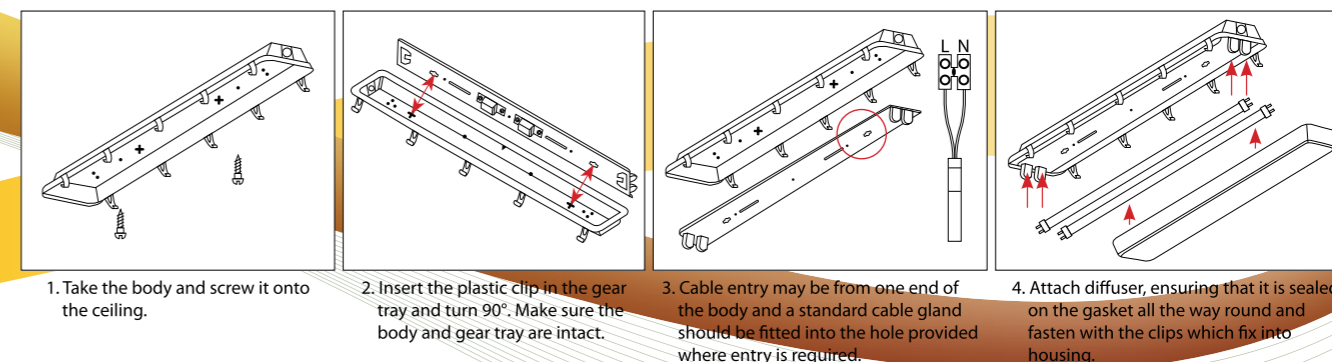
Polar Intensity Diagram - double tube



Dimensions (mm)



Installation Guide



EFFICIENT & PERFORMANCE

- IP65 enclosure for waterproof and dustproof applications
- Impact resistant polycarbonate cover which susceptible to harsh outdoor environments and vandalism
- Combined together with Ozlux® T5 electronic ballast for energy efficiency

EASY INSTALLATION

- Designed with a shallow and compact housing which provides easy installation
- Suitable for Car Parks, Tunnels, Hallways, Outdoor and Semi-Outdoor Environments

TECHNICAL (ELECTRONIC BALLAST)

- Optimum Power Factor
- Low Total Harmonic Distortion
- Excellent voltage tolerance level



34-2, Jalan 3/146, Bandar Tasik Selatan, 57000 Kuala Lumpur, Malaysia.
Tel: +603 9057 8949 Fax: +603 9057 8946 Email: sales@dpsb.com Web: www.ozlux.com



© 2011 DPI Industries Sdn. Bhd. All rights reserved.

BRD02090610002